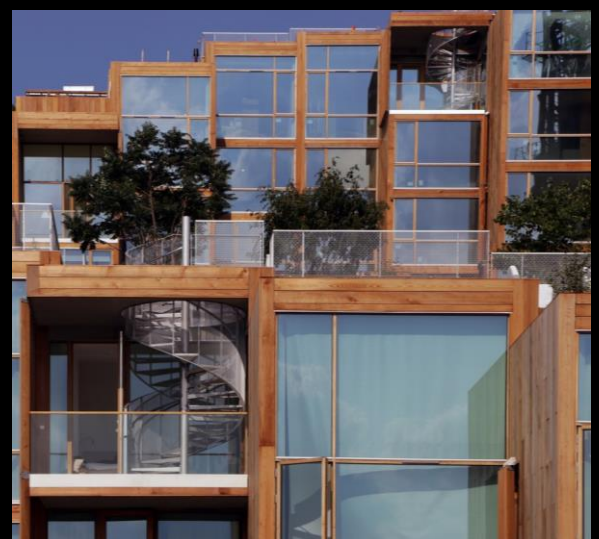


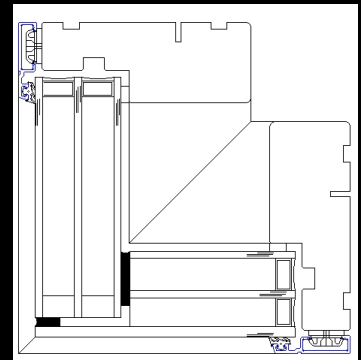
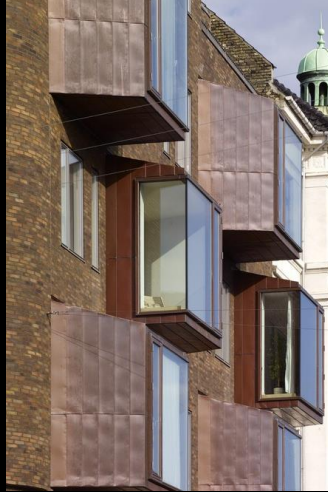
# TOGETHER WE DEVELOP ARCHITECTURE...



## UNIQUE SOLUTIONS

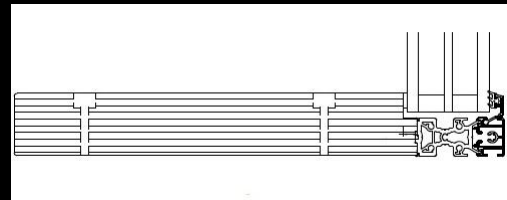
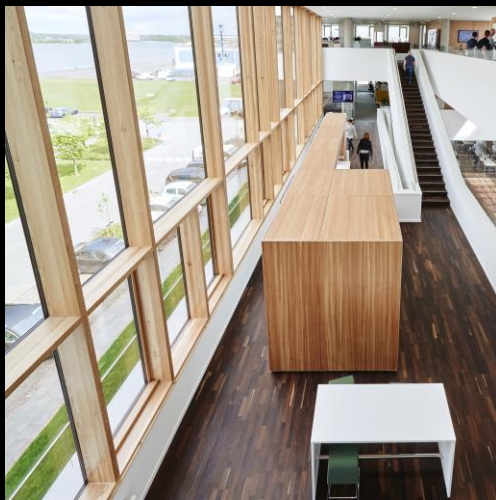


# GLASS TO GLASS CORNERS

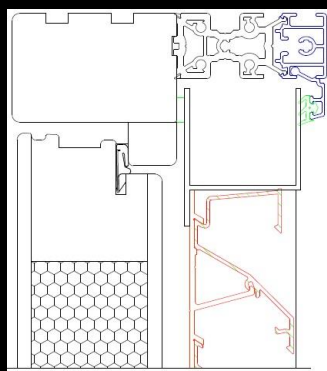




# EXTRA DEEP FRAMES



# NATURAL VENTILATION





# SLIDING DOORS



# TOGETHER WE DEVELOP THE ARCHITECTURE...

Freedom and license to design is a world without restrictions. At SA Concept we believe that every construction should be unique and demands unique solutions. Why adapt to standard solutions, when we can realize and deliver your ideas?

SA Concept offers:

- Adjustment of window measures and window shapes to the specific project
- A wide selection of materials – many different kinds of wood, aluminium and composite
- A wide selection of hinges, frames, profiles etc.
- Noise reduction windows – many options, openable, bottom hung windows etc.
- Sun protection - glass with sunshade, SPF or solar blinds
- Large sliding doors, length up till 5 meters and 2.6 meters height
- Large window elements e.g. 3x4 meters
- Extra high door- and window frames
- Oriel windows/projecting window boxes
- Glass to glass corners
- Large front solutions
- Fire windows and doors
- Natural ventilation
- Extra deep frames

Give up the habitual way of thinking by using SA Concept  
and create innovative architecture

